

Panasonic 12F LED display



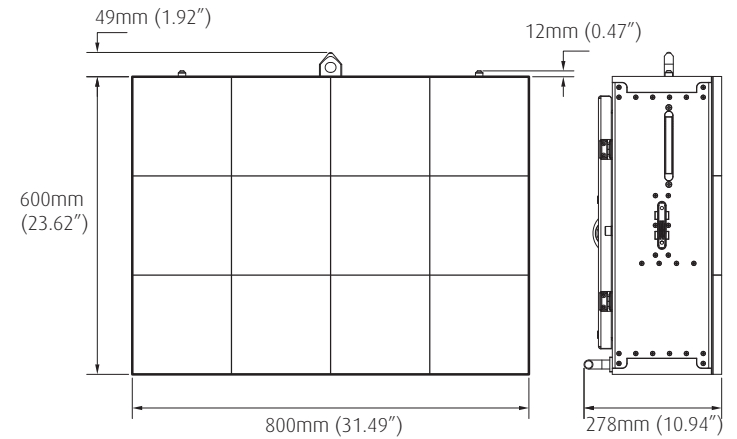
CREATIVE LED DISPLAY

Taking outdoor LED displays to a new level, Creative Technology's Panasonic 12F screen has rapidly become the first choice for major sporting events. Packaged as a conventional modular LED screen, the Panasonic 12F screen utilises high contrast SMD LEDs on a 12mm pitch and brightness output of 5000Nits. Whilst the resolution matches other products in CT's inventory the enhanced contrast provides significantly improved high ambient performance making it ideal for full sunlight sports applications, while the SMD pixels optimise close up viewing allowing players and competitors to clearly read graphics from only a few metres away.

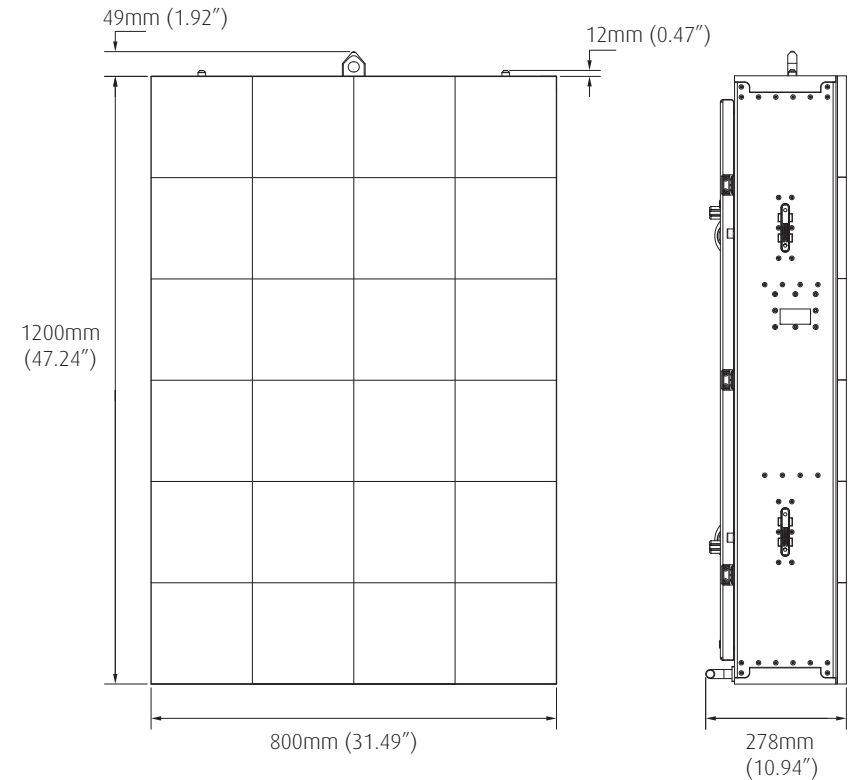
The 12F is the perfect product for dual function scoring and video display and is being specified at an increasing number of high profile sports events. Built in rugged fully weatherproof modules the new Panasonic screens offer great flexibility of display dimension and are packaged to perform from the mountainside to the desert.

Specification	Single Module	Double Module
Pixel pitch	12.5	12.5
Brightness Nit or cd/m ²	5000	5000
Led type	3-in-1 SMD	3-in-1 SMD
Module size (mm) w x h x d	800x600x278	800x1200x278
Module size (inches) w x h x d	31.49"x23.62"x10.94"	31.49"x47.24"x10.94"
Pixels/module	3072	6144
Pixels/m ²	6400	6400
Viewing Horizontal/Vertical	145 degree/+30,-50	145 degree/+30,-50
Weight/Module	40kg	65kg
Weight/m ²	83kg	68kg
IP front/back	IP66/	IP66/
Processing	17bit	17bit
Colours	2,250 trillion	2,250 trillion
Refresh rate	1600Hz +	1600Hz +
Max power/module (W)	720W	1440W
Avg power/module (W)	1500W	1500W
Temperature	-10°C to +50°C	-10°C to +50°C

Single Module



Double Module



Creative Technology Ltd
Unit E2
Sussex Manor Business Park
Crawley
West Sussex
RH10 9NH

Tel.: +44 (0)1293 582000
Fax: +44 (0)1293 582010
info@ctlondon.com
www.ctlondon.com