

CAM BALL - HD



CREATIVE
TECHNOLOGY



INTEGRATED REMOTE CAMERA

The Cam-Ball HD is a further development of the original Cam-Ball. The camera has been upgraded to High Definition and also all the mechanics, electronics and servos to offer unrivalled, smooth, on-shot moves with full, simultaneous control of Pan, Tilt, Zoom and Focus, together with all available camera CCU functions.

The unit is fully weatherproof and can withstand extended periods outside or on boat decks etc. Slipping clutches are fitted to both axis to protect the mechanics from external forces and to make rigging very easy.

Slip rings are fitted to the pan axis enabling continuous 360 degree rotation. The Cam-Ball HD can also be mounted inverted. The tilt rotation angle is a total of approximately 270 degrees, the slip rings make inverted mounting very straightforward.

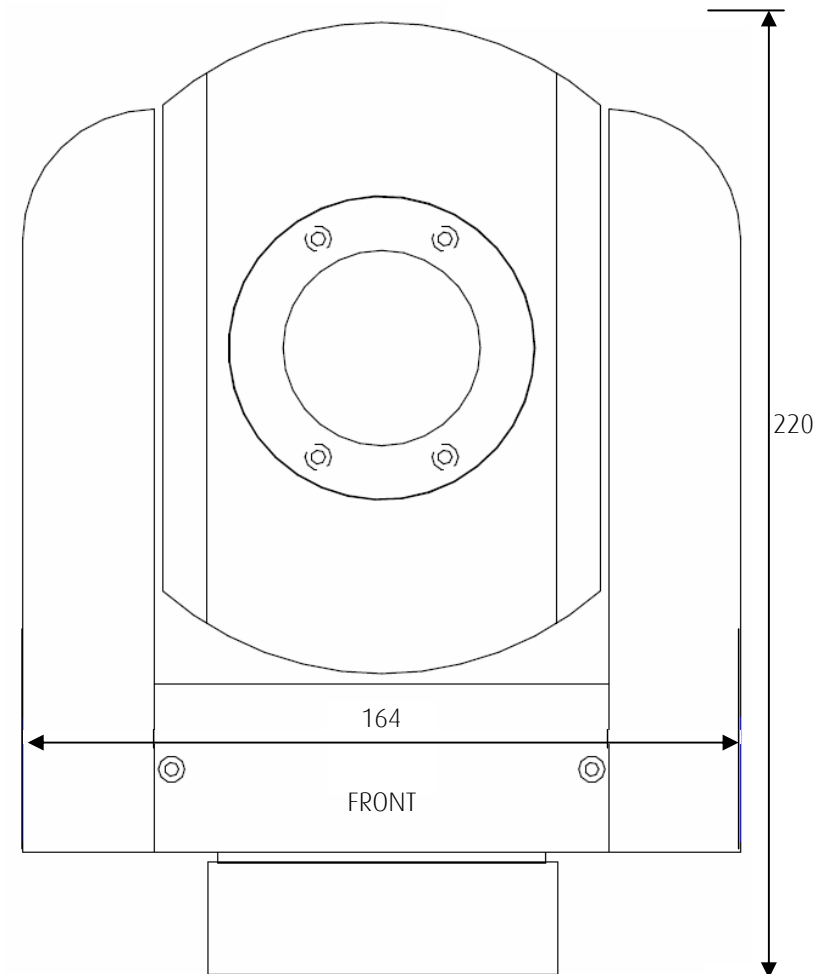
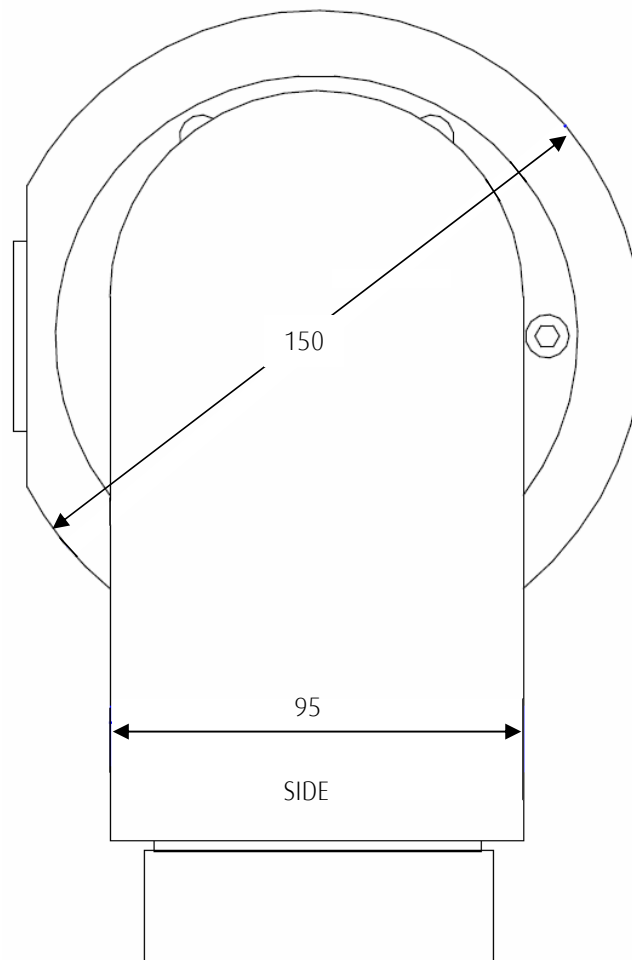
8 preset positions can be memorised and re-called. This includes: Pan, Tilt, Zoom and Focus for each preset. These positions, and the main camera settings, are automatically stored even during power down. Clutch slip, even when powered down, will not affect the preset positions.

KEY BENEFITS

- 2 Megapixel HD CMOS Camera
- HD/SD switchable, PAL, NTSC,
- 10:1 zoom
- Slip Rings
- Inverted or Upright Mounting
- Rugged and Weather proof
- 8 Preset positions P,T,Z,F
- Internal radio data receiver option
- SDI option
- HDSDI option

PRODUCT INFORMATION

Weight:	3.4kg
Data:	RS485
Power:	12-24v @ 1A
Outputs:	HD Component, 1080i/50, 1080i/59.94, 720p/50, 720p/59.94, SD Composite, PAL, NTSC 4:3 or 16:9
Options:	SDI or HDSDI * Up to 2 internal radio data receivers Wide angle converters



Creative Technology Ltd
Unit E2
Sussex Manor Business Park
Gatwick Road
Crawley
West Sussex
RH10 9NH

Tel.: +44 (0)1293 582000
Fax: +44 (0)1293 582010
info@ctlondon.com
www.ctlondon.com